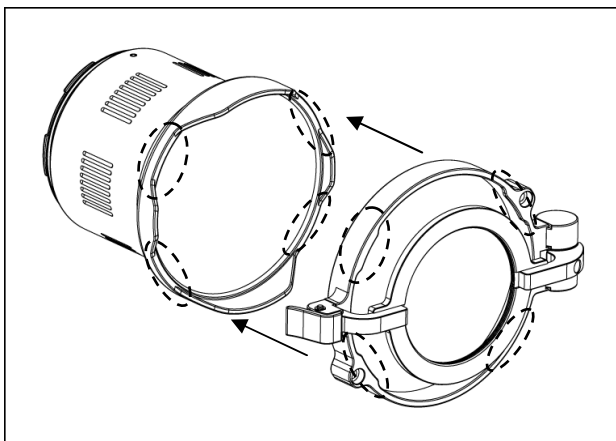
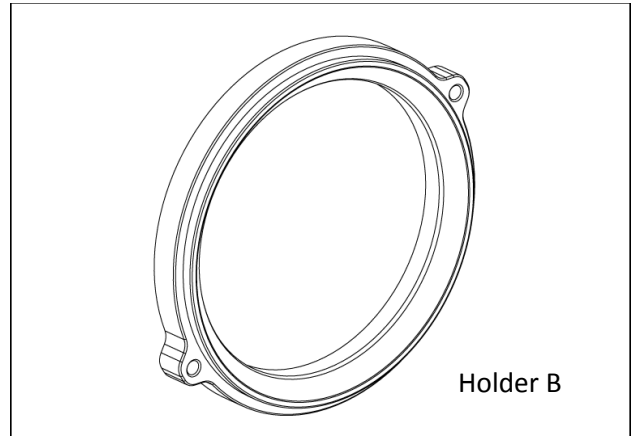
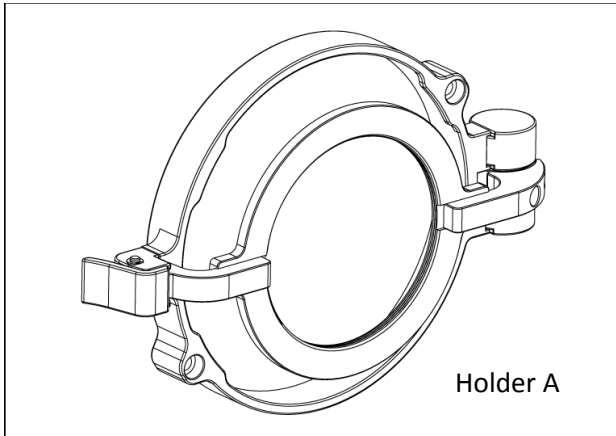
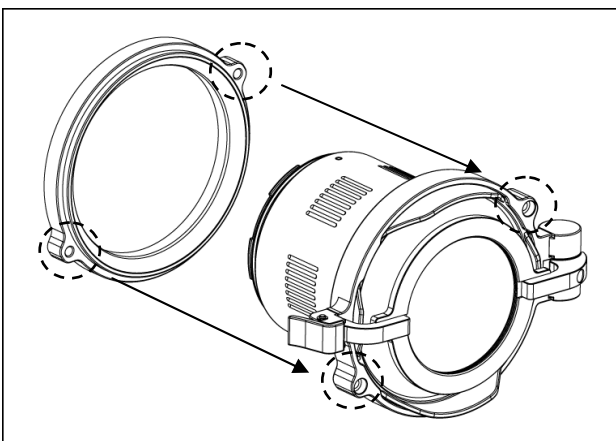


M67 flip diopter holder for 36137

Please follow the instructions below to mount the flip diopter holder on Nauticam 4" wide angle port (P.N. 36137).

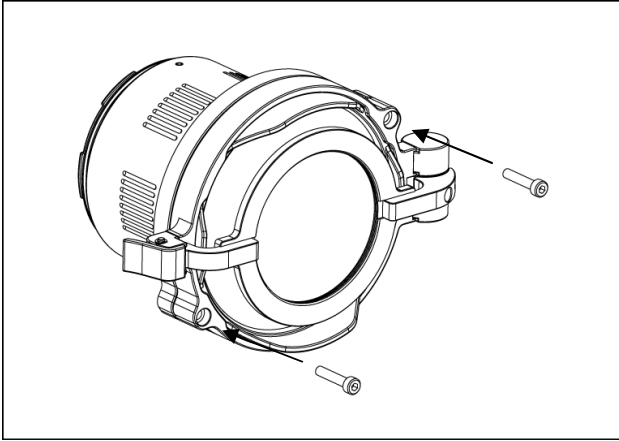


1. Align the four bayonets of holder A with the recessed parts of the port shade as indicated on the diagram. Gently place holder A on the front of the lens port.

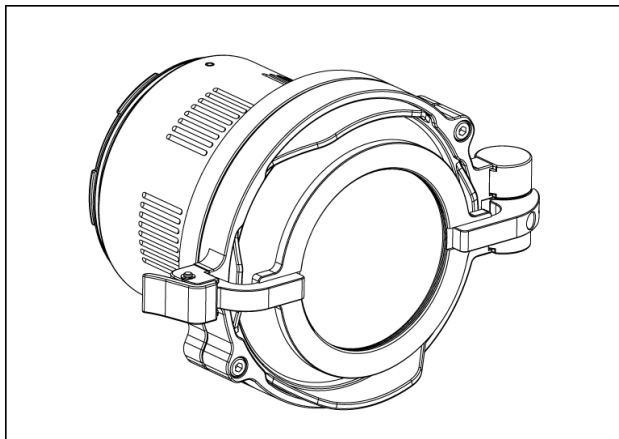


2. Insert holder B from the rear side of the port, align the openings on A and B.

M67 flip diopter holder for 36137



3. Fasten the flip diopter holder onto the port by the screws provided.



4. To un-mount the flip diopter holder from the port, reverse the above steps.